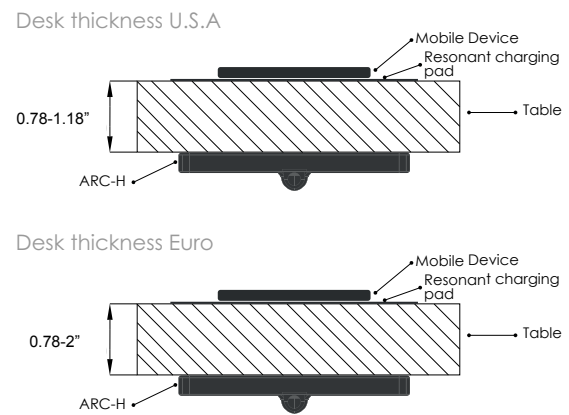
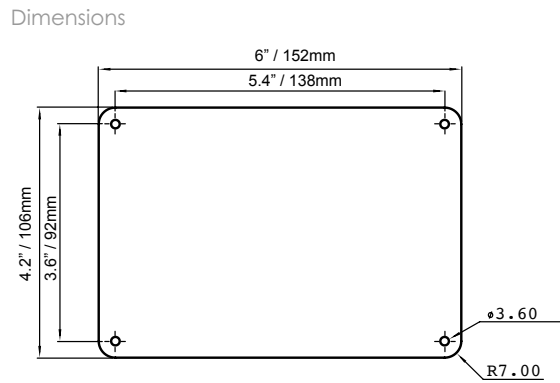
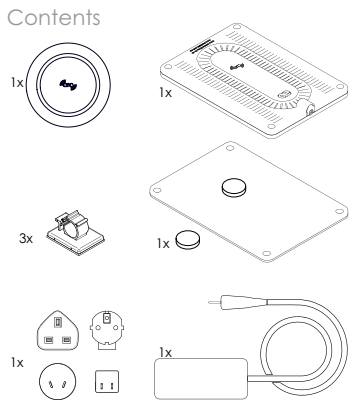


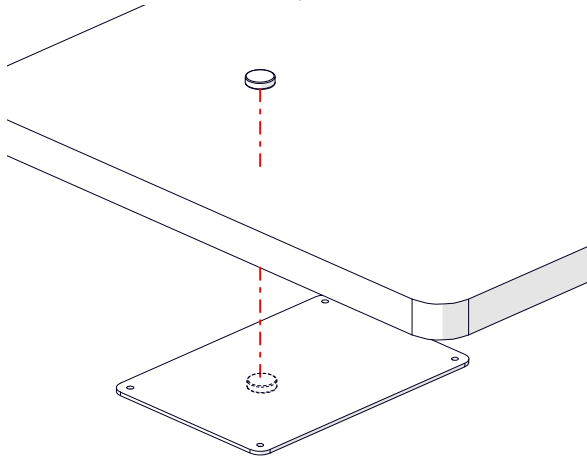
ARC-H LD installation instructions

ARC-H (LD) is designed for surfaces 20-50mm (0.78-2") thick. However, for USA, FCC compliance requires ARC-H to be fitted to worksurfaces 20-30mm (0.78-1.18") only

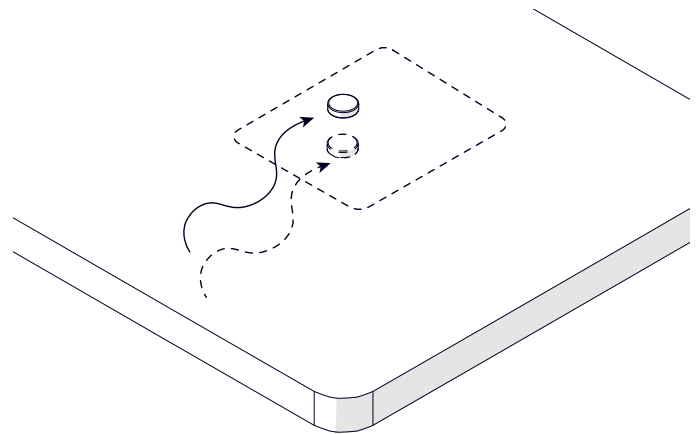


The ARC logo identifies the coil centre which must be aligned with the resonator pad

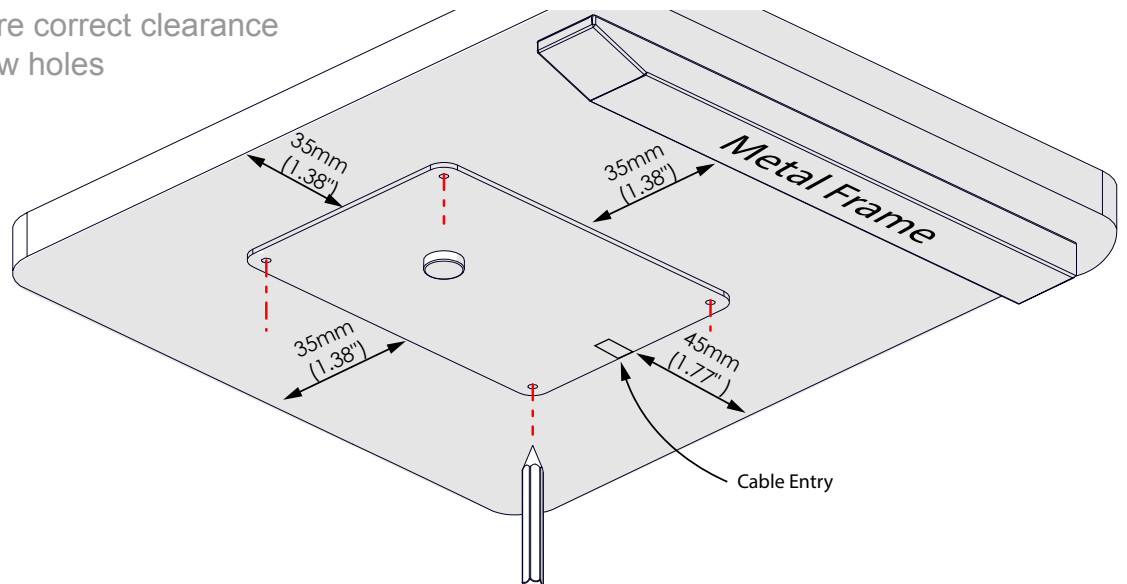
1 Attract magnets (thicknesses up to 25mm / 0.98")



2 Move guide to your desired location

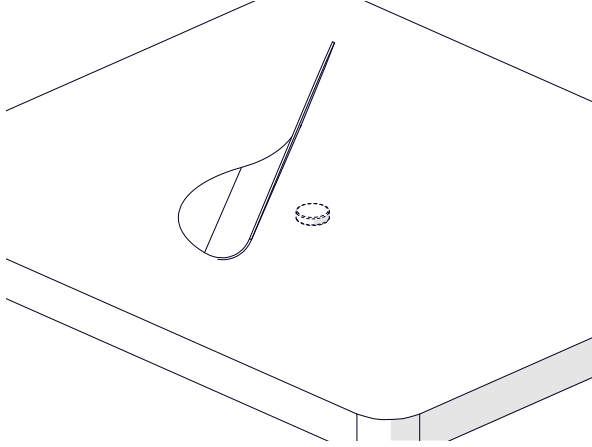


3 Adjust to ensure correct clearance and mark screw holes

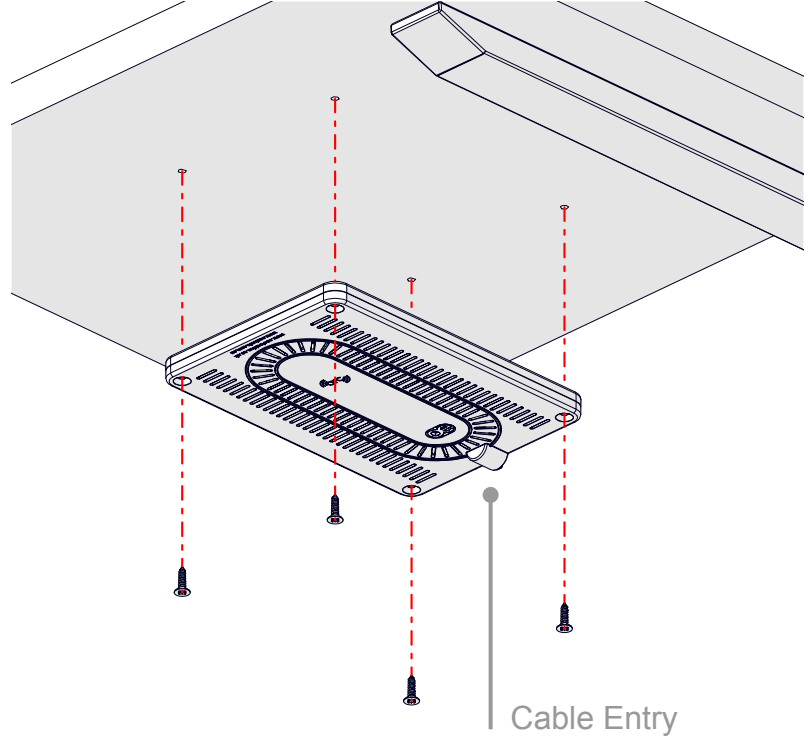


ARC-H LD installation instructions

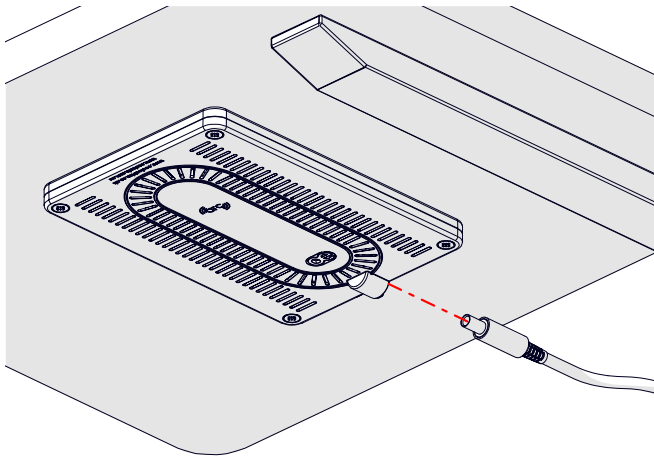
- 4 Place resonator pad where the magnet indicated



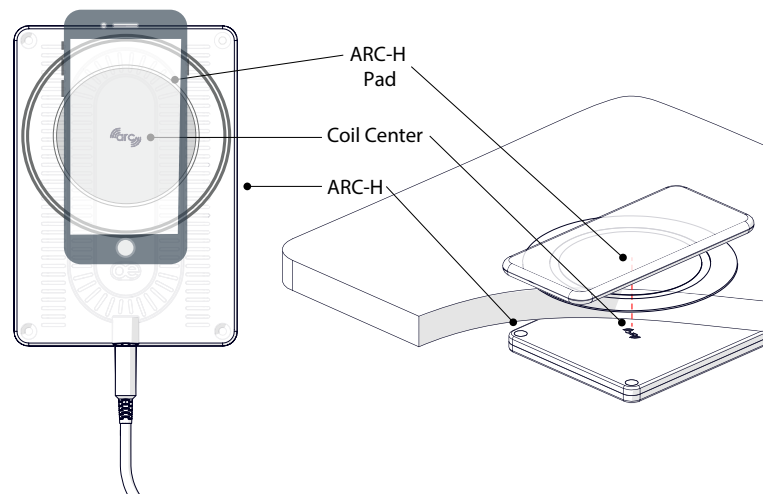
- 5 Fit ARC-H with tape (provided) or screws



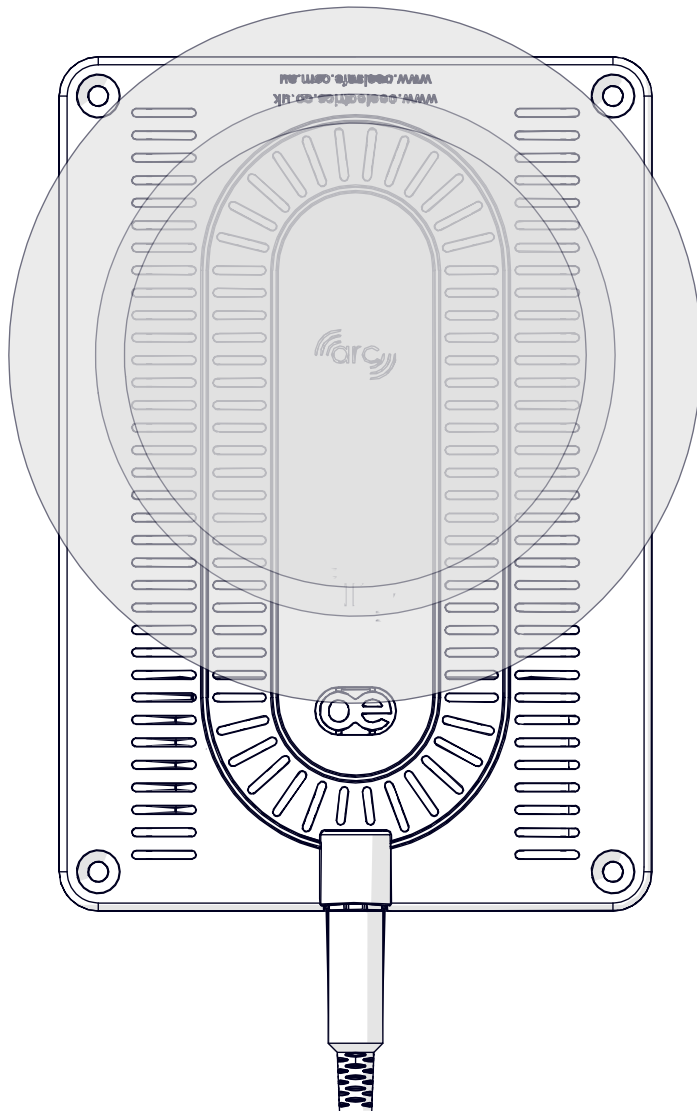
- 6 Connect power and check for blue LED



- 7 Place phone on the resonator pad and charge



- 8 The ARC logo identifies the coil centre which must be aligned with the Resonator Pad



- 9 Common queries / installation problems

Common queries

The phone will not charge when I place the phone directly on the charger, to check it works before installation?

The charger will not charge a phone unless it is separated (and aligned) from the phone by at least 20mm (0.8")

The magnets will not attract each other through my desk?

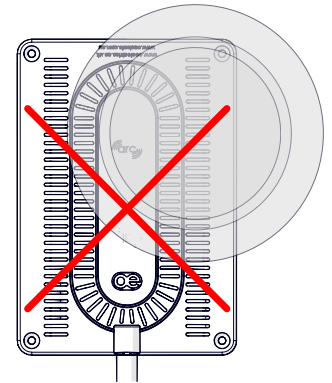
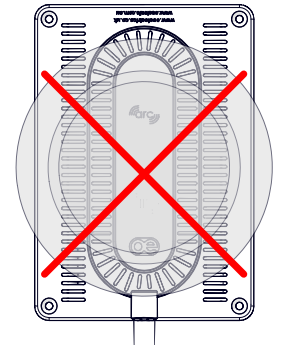
The magnets only work up to 25mm (1"). Either route the desk underside to <25mm (1") thick or call to purchase the Electronic Alignment Guide

Common installation errors

Pad fitted over the center of the charger - WILL NOT WORK

The charging coil is Off-Center, the alignment guide must be used to guarantee accuracy

Pad misaligned - WILL NOT WORK
The alignment guide must be used to guarantee accuracy



LED Functions

Slow on/off blue - Device is on and in stand-by mode

Solid blue - Device in on and in charging mode

Red - Error mode

- **Foreign Object Detected** - Remove metal from near charger
- **Phone is too close** - Move phone greater than 20mm (0.8") away
- **Plug pack issue** - Use only original plug pack
- **NON-compatible device** - Upgrade phone