



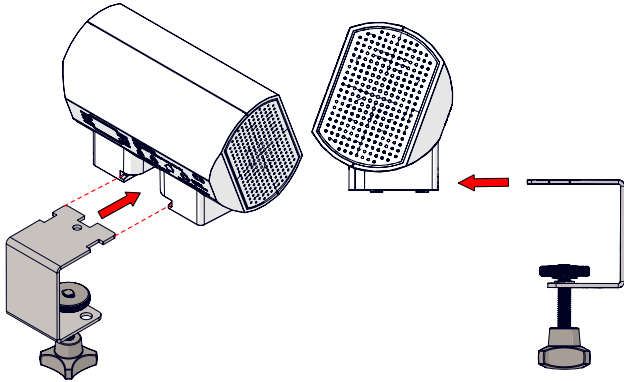
INST1374

Pro Panda 100W Fitting instructions

FITTING

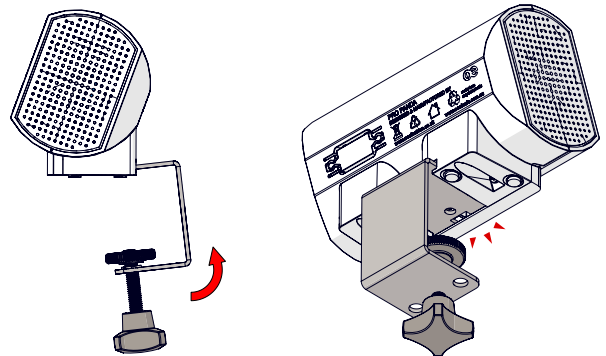
STEP 1

Align clamp bracket with PRO PANDA



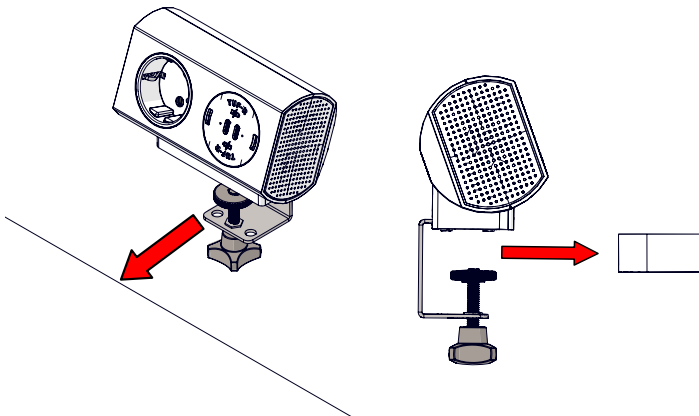
STEP 2

Push bracket into place, tilt and push - click should be heard



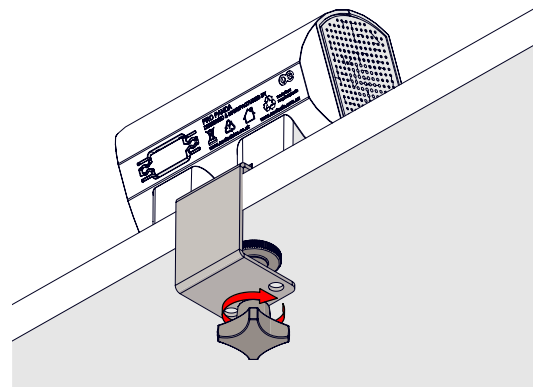
STEP 3

Align PRO PANDA with surface

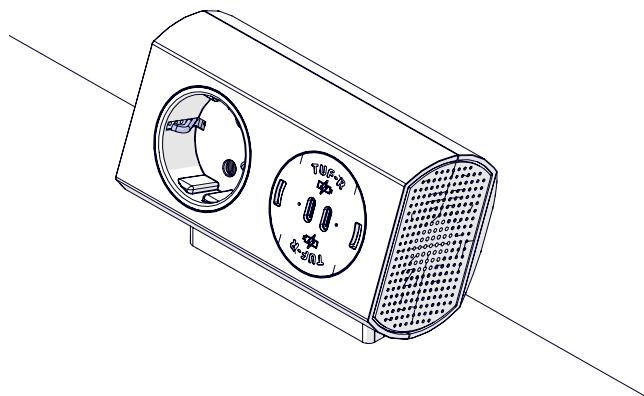
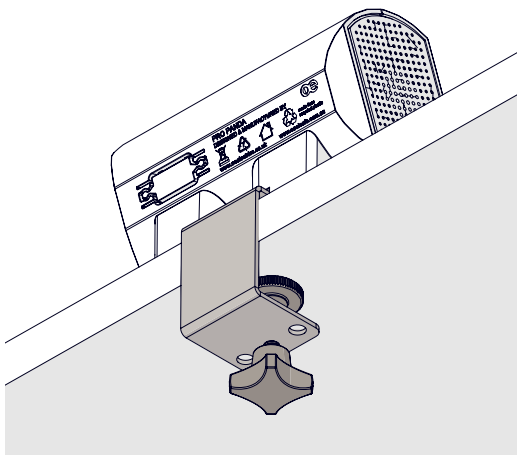


STEP 4

Hand tighten nut on clamp bracket



COMPLETE





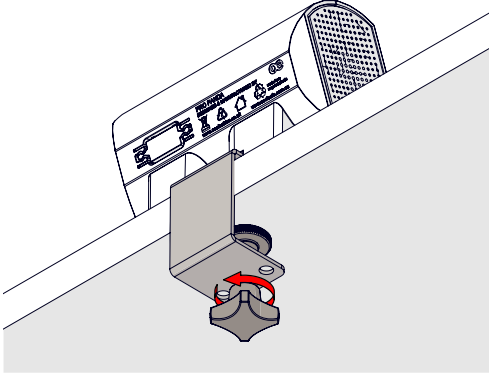
INST1374

Pro Panda 100W Fitting instructions

REMOVAL

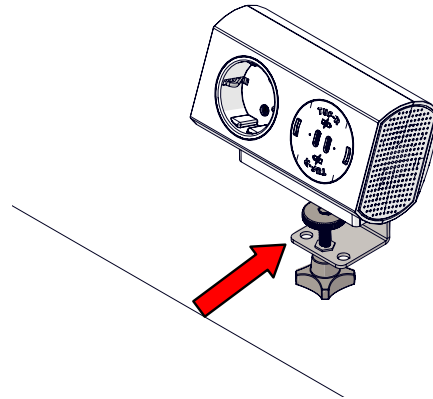
STEP 1

Unscrew nut on bracket



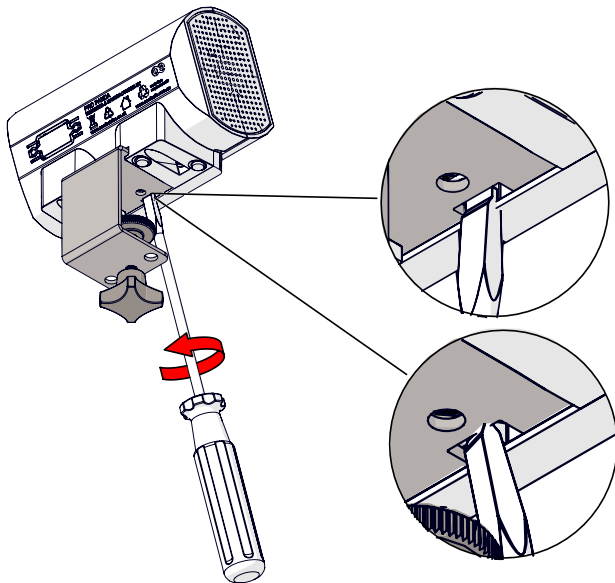
STEP 2

Remove PRO PANDA from surface



STEP 3

Use a flat screwdriver to release bracket from PRO PANDA. Slide screwdriver into slot and twist gently. Recommended minimum flat head width **8mm**



COMPLETE

Slide bracket from PRO PANDA

